

Guide to Physical Security in your Childcare Setting

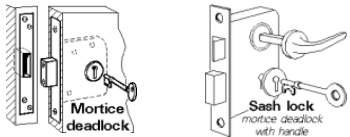
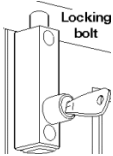
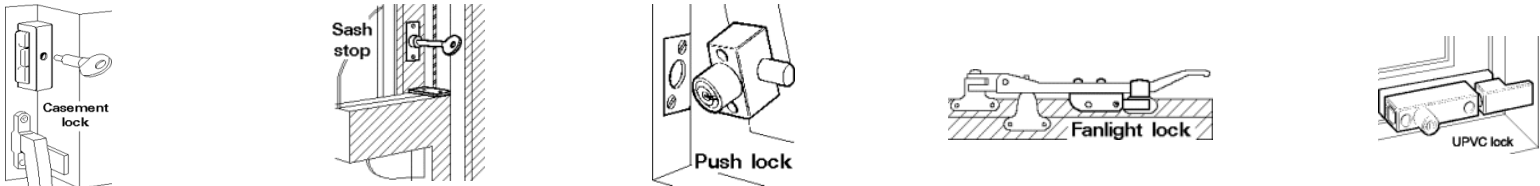
Our range of childcare insurance policies are underwritten by Inter Hannover. It is a condition of our policy coverage that a minimum level of security must be in place at your setting. This guide details what the minimum security level requirements are for specific areas of your building.

If the security at your setting does not meet the requirements set out below please do not worry. We may still be able to provide you with a quotation but will need to discuss your security arrangements in detail with our insurers. Please give us a call on **0845 271 3262** to discuss further.

For more information on securing your premises please contact us on the number above or contact your local crime prevention officer or a locksmith.

Want to know more? Talk to a member of our Early Years Business Support Team on 0845 271 3262 or visit www.poundgateschildcare.com



	TIMBER DOORS	ALUMINIUM DOORS	PVCU DOORS	DOUBLE LEAF DOORS
FINAL EXIT DOORS	<p>Mortice deadlocks or mortice sash locks having five or more levers with matching boxed striking plate conforming to British Standard 3621 or the equivalent European Standard EN12209.</p> 	<p>Cylinder mortice lock operating a swinging lock bolt.</p>	<p>Key operated multi-point locking devices having three or more locking points.</p> <p>Note: Modern designs will usually incorporate deadlock shoot bolts or a multi-point locking system, both throwing a number of bolts from the door into the frame. Under these circumstances there will not normally be any need for additional devices.</p>	<p>Ideally both leaves should be fitted with key operated mortice rack bolts (bolts fitted within the door and operated internally by a threaded key) or surface mounted locking bolts (see picture) fitted top and bottom to provide rigidity.</p> <p>If both leaves are not fitted with bolts then it is a requirement that the first closing leaf of double leaf doors must be fitted internally with bolts top and bottom.</p> 
ALL OTHER EXTERNAL DOORS (AND INTERNAL DOORS LEADING TO COMMON AREAS OF OTHER PREMISES):	<p>As per FINAL EXIT DOORS or;</p> <p>By key operated mortice rack bolts (bolts fitted within the door and operated internally by a threaded key) or surface mounted locking bolts (see picture under 'Double Leaf Doors' above) fitted top and bottom to provide rigidity.</p>			
OPENING WINDOWS & ROOF LIGHTS	<p>Opening windows or roof lights accessible from the ground or via roofs, pipe work or other structures must be secured by key operated locking devices or screwed permanently shut. Suitable devices (depending on the construction material of the windows) include:</p> 			
FIRE EXITS	<p>Any door or window officially designated a fire exit by the Fire Authority is excluded from these requirements.</p>			